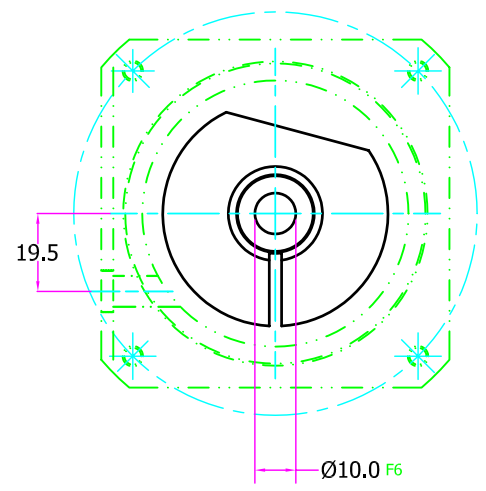
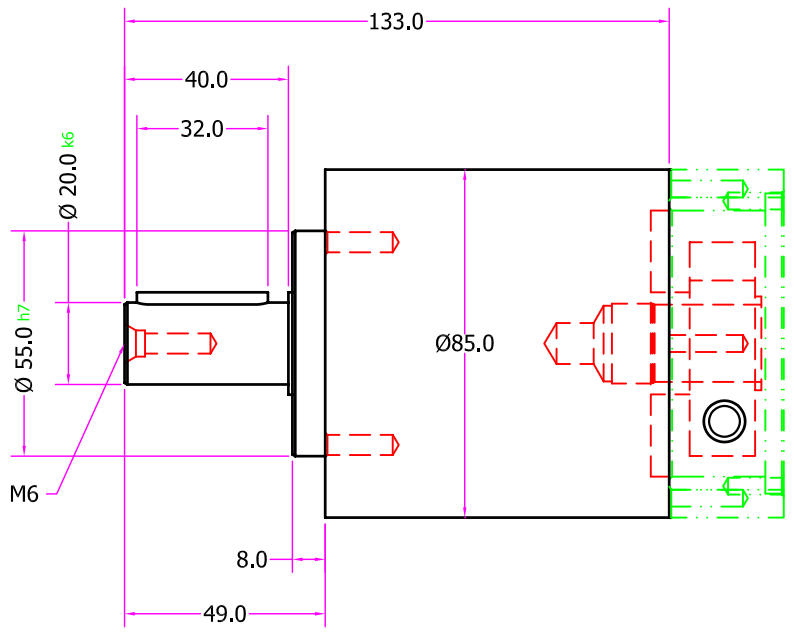
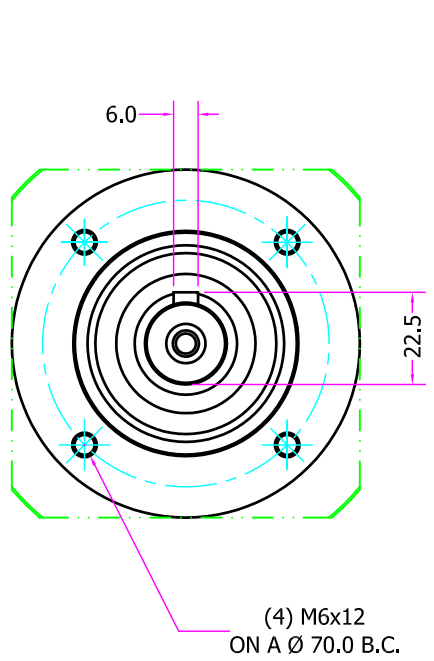


REV.	ECN No.	DATE	BY	DESCRIPTION
A	---	05/11/07	CP	RELEASED FOR QUOTATION



FLANGE DIMENSIONS ACCORDING TO MOTOR SELECTED

<b>FINISH:</b>		DO NOT SCALE WHEN PRINT	ALL DIMENSIONS IN MILLIMETERS, UNLESS OTHERWISE SPECIFIED, ALL DIMENSIONS IN [ ] ARE IN INCHES AND FOR REFERENCE ONLY	
TOLERANCES UNLESS OTHERWISE SPECIFIED:		<b>DRAWN:</b> 05/11/07	JAM	<b>DIEQUA</b> Corporation
INCH      FRACTIONAL      METRIC		<b>REQUESTED:</b> 05/11/07	CP	
.X    ±0.020	.XX   ±0.010	.XXX ±0.005	<b>APPR.</b>	
ANGULAR ±15°		.X    ± 0.5		PLANETDRIVE GEARBOX TYPE: PD-085-1
UNLESS DENOTED AS SHARP		.XX   ±0.25		
<b>MATERIAL:</b>		<b>REV:</b> A	<b>SCALE:</b> 1:1	<b>SHEET:</b> 1 OF 1
BREAK ALL EDGES .5 X 45° UNLESS DENOTED AS SHARP		<b>CUSTOMER PART No.</b>		<b>DWG No.</b> PD085-1S