

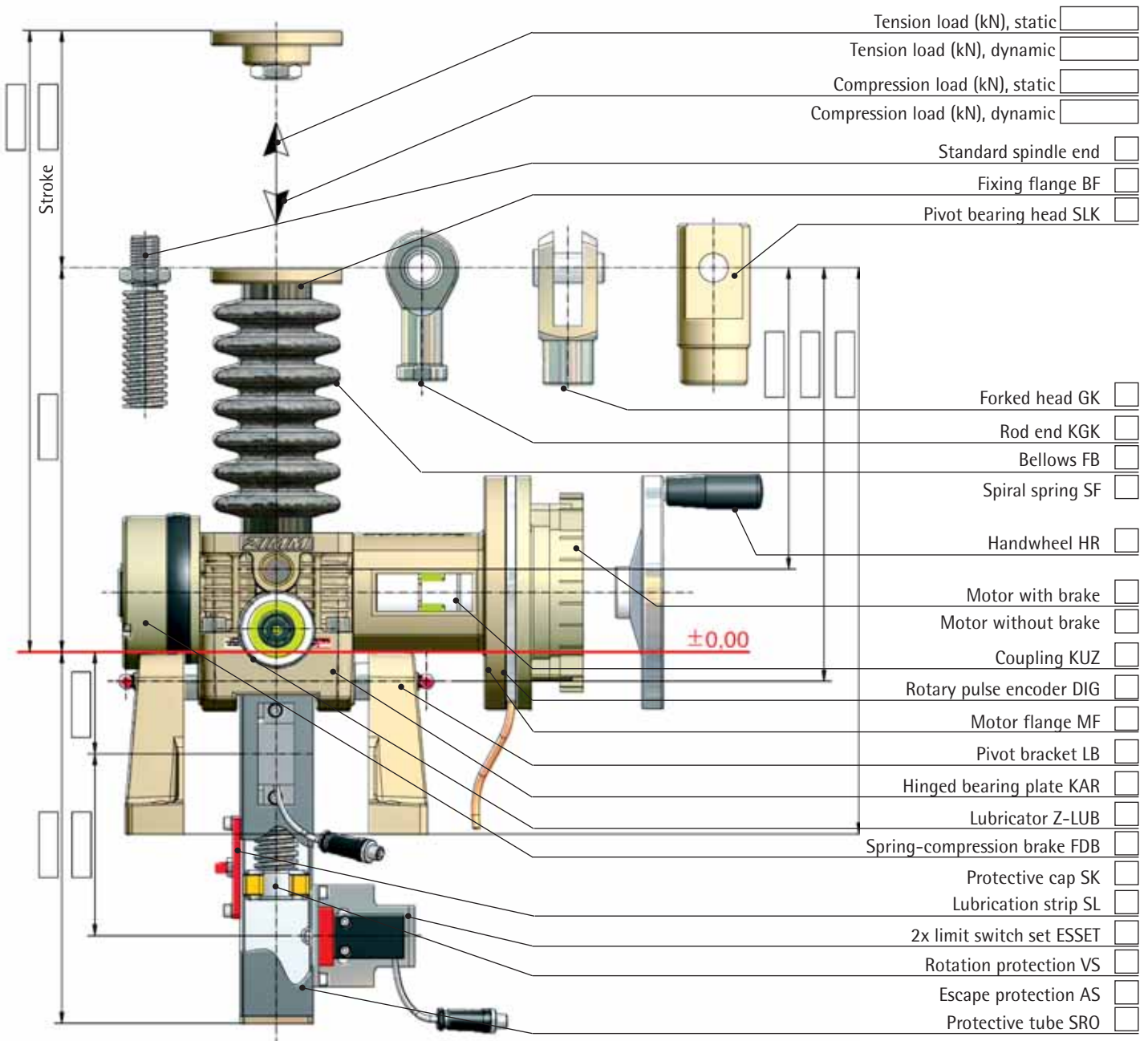
This picture shows various options!

Checklists - Page 2 - Component List S

Type:

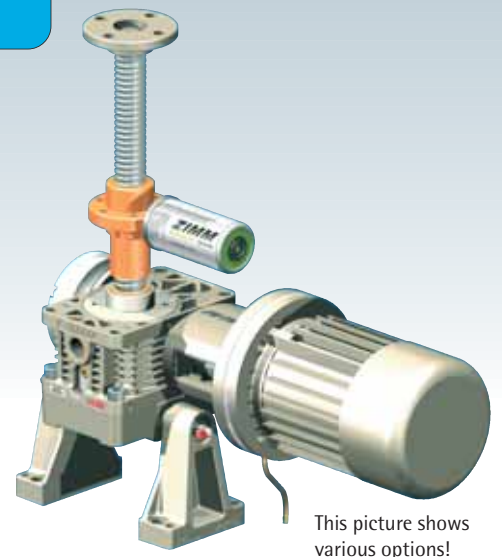
Variants:

- SN (standing spindle, normal speed)
- SL (standing spindle, low speed)
- Tr trapezoidal screw
- KGT ball screw



- Tension load (kN), static
- Tension load (kN), dynamic
- Compression load (kN), static
- Compression load (kN), dynamic
- Standard spindle end
- Fixing flange BF
- Pivot bearing head SLK
- Forked head GK
- Rod end KGK
- Bellows FB
- Spiral spring SF
- Handwheel HR
- Motor with brake
- Motor without brake
- Coupling KUZ
- Rotary pulse encoder DIG
- Motor flange MF
- Pivot bracket LB
- Hinged bearing plate KAR
- Lubricator Z-LUB
- Spring-compression brake FDB
- Protective cap SK
- Lubrication strip SL
- 2x limit switch set ESSET
- Rotation protection VS
- Escape protection AS
- Protective tube SRO





This picture shows various options!

Checklists - Page 3 - Component List R

Type:

Variants:

- RN (rotating spindle, normal speed)
- RL (rotating spindle, low speed)
- Tr trapezoidal screw
- SIFA safety nut
- with SIFA control
- KGT ball screw

Tension load (kN), static

Tension load (kN), dynamic

Compression load (kN), static

Compression load (kN), dynamic

Opposed bearing plate GLP

Bellows FB

Spiral spring cover SF

Lubricator Z-LUB

Cardan adapter DMA

Duplex nut DM

Trapezoid flange nut FM

KGT flange nut KGT-F

Self-aligning nut PM

Greaseless nut FFDM

Driving flange TRMFL

Safety nut SIFA

Wear control SIFA control

Handwheel HR

Motor with brake

Motor without brake

Rotary pulse encoder DIG

Motor flange MF

Coupling KUZ

Pivot bracket LB

Hinged bearing plate KAR

Spring-compression brake FDB

Protective cap SK

