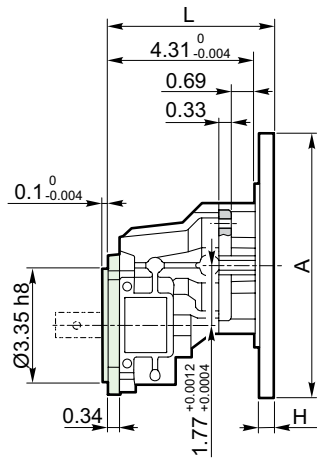


Gearboxes RP

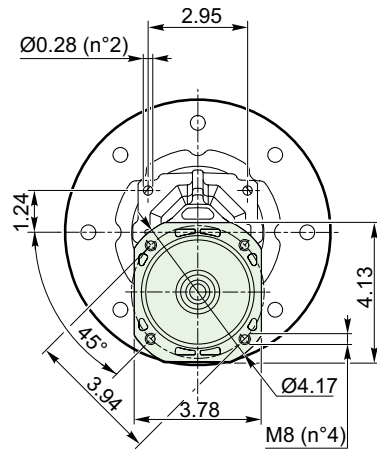
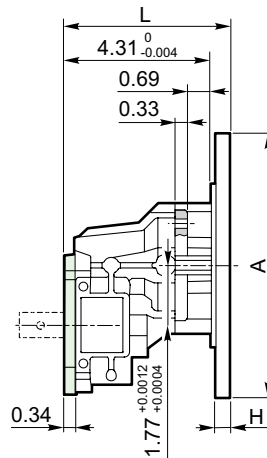
Dimensions [inch]

Gearboxes and output flange

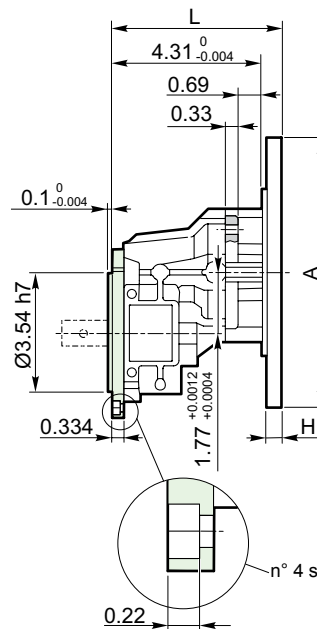
FRP-G 90 B5



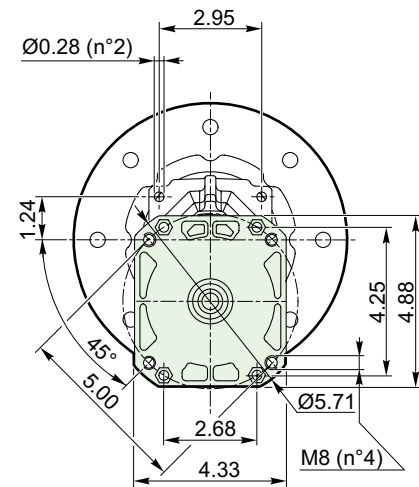
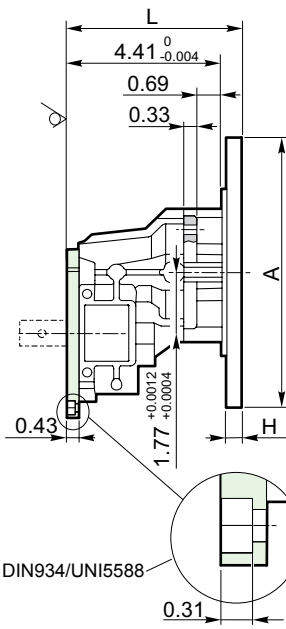
FRP-G 90 B5/1



FRP-G 90 SQ



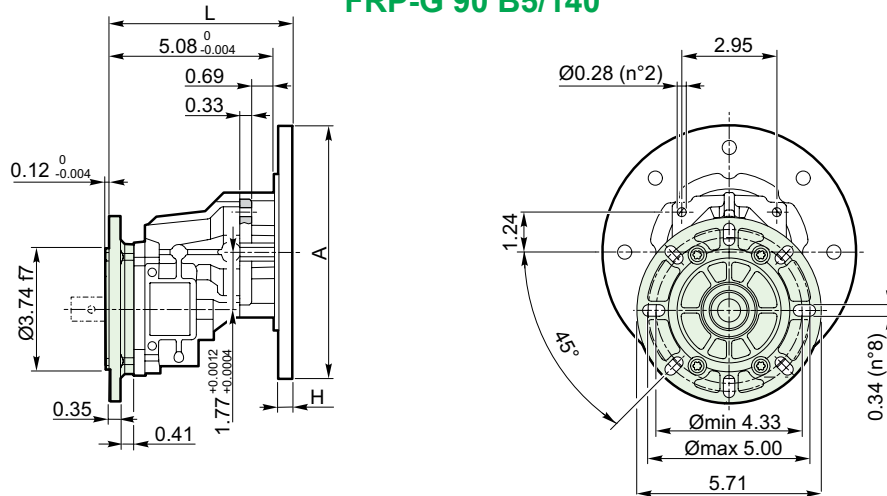
FRP-G 90 SQ/1



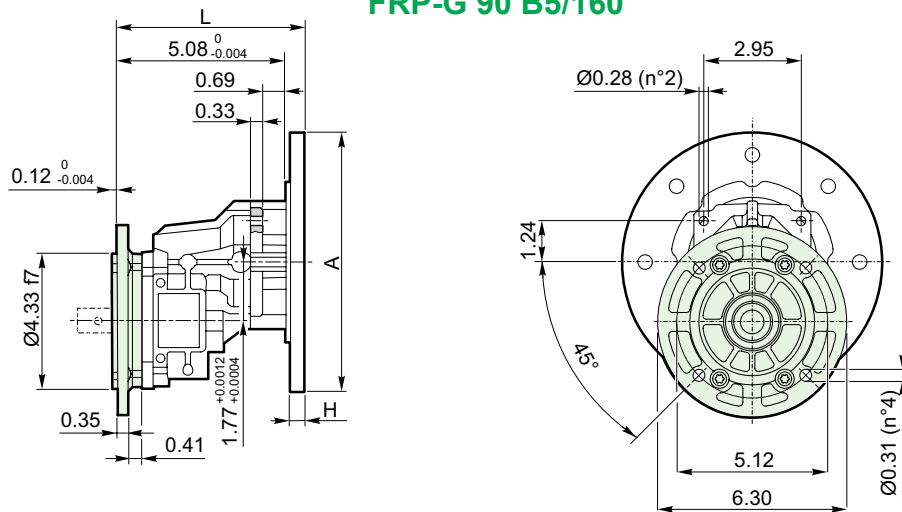
Gearboxes RP

Dimensions [inch]

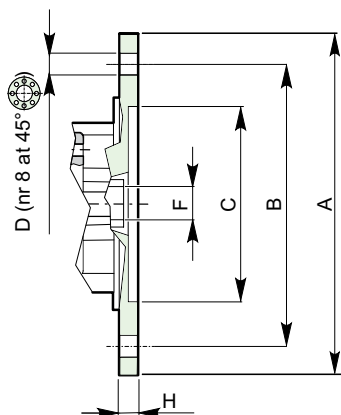
FRP-G 90 B5/140



FRP-G 90 B5/160



Motor flanges



		N56C	N140TC	71B5	71B14	80B5	80B14	90B5	90B14
	A	6.50	6.50	6.30	4.13	7.87	4.72	7.87	5.51
	B	5.88	5.88	5.12	3.35	6.50	3.94	6.50	4.53
	C	4.50	4.50	4.33	2.76	5.12	3.15	5.12	3.74
	D	0.43	0.43	0.39	0.28	0.43	0.28	0.43	0.39
	F	0.63	0.88	0.55	0.55	0.75	0.75	0.94	0.94
	H	0.51	0.51	0.45	0.41	0.45	0.39	0.45	0.43
FRP90 B5 FRP90 B5/1 FRP90 SQ	L	5.91	6.04	4.92	4.92	4.92	5.00	5.91	5.98
FRP90 SQ/1		6.00	6.14	5.02	5.02	5.02	5.10	6.00	6.08
FRP90 B5/140 FRP90 B5/160		6.67	6.81	5.69	5.69	5.69	5.77	6.67	6.75