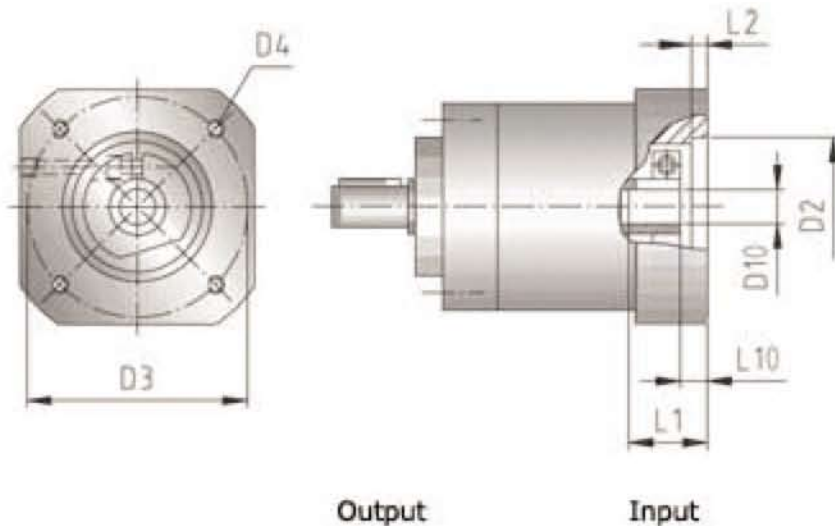


Motor Adapter Flange Codes

Size PD155



Flange Code*	D2 mm	D3 mm	D4 mm	L1 min. mm	L1 max. mm	L2 mm	L10 mm
AA	95	115	M8	30	64	6.5	8.5
AB	95	130	M8	30	64	6.5	8.5
AC	110	130	M8	30	64	6.5	8.5
AD	110	145	M8	30	64	6.5	8.5
AE	110	145	M8	40	74	10	18.5
AF	110	145	M8	45	79	10	23.5
AG	110	165	M10	30	64	6.5	8.5
AH	130	165	M10	40	74	10	18.5
AI	80	100	M6	30	64	6.5	8.5
AJ	130	215	M12	30	64	6.5	8.5
AK	70	90	M5	30	64	6.5	8.5

* Other flange codes available upon request.