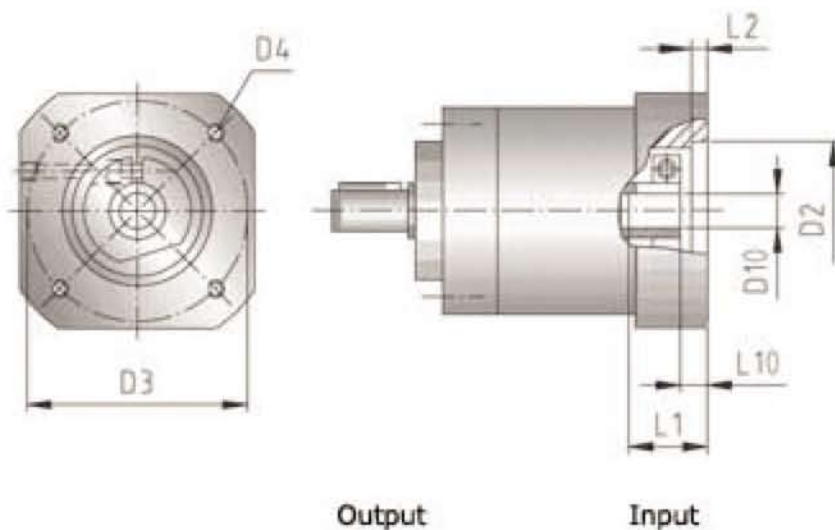


Motor Adapter Flange Codes

Size PD040



Flange Code*	D2 mm	D3 mm	D4 mm	L1 min. mm	L1 max. mm	L2 mm	L10 mm
AA	25	32	M3	15	27	3	4.5
AB	25	63	M5	14	26	3	3.5
AC	30	46	M4	14	26	3	3.5
AD	35	65.5	M5	14	26	3	3.5
AE	30	46	M5	14	26	3	3.5
AH	30	45	M3	15	27	3.5	4.5
AI	50	70	M4	18	30	3.5	7.5
AJ	22	43.8	3.5	14	26	2.5	3.5
AK	22	48	M3	14	26	3	3.5

* Other flange codes available upon request.