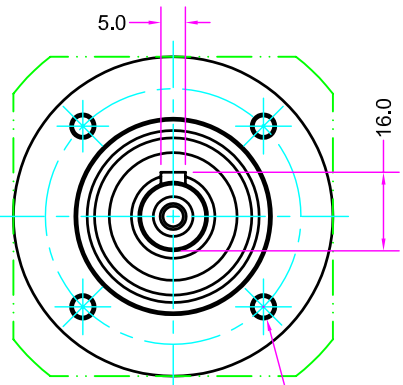
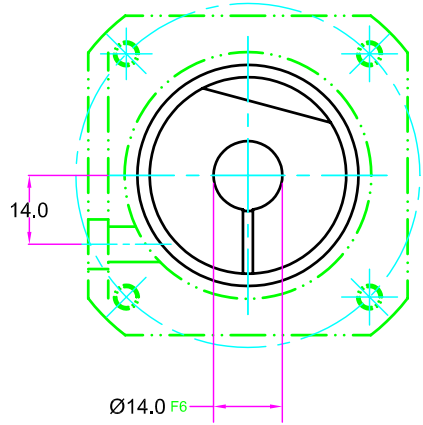
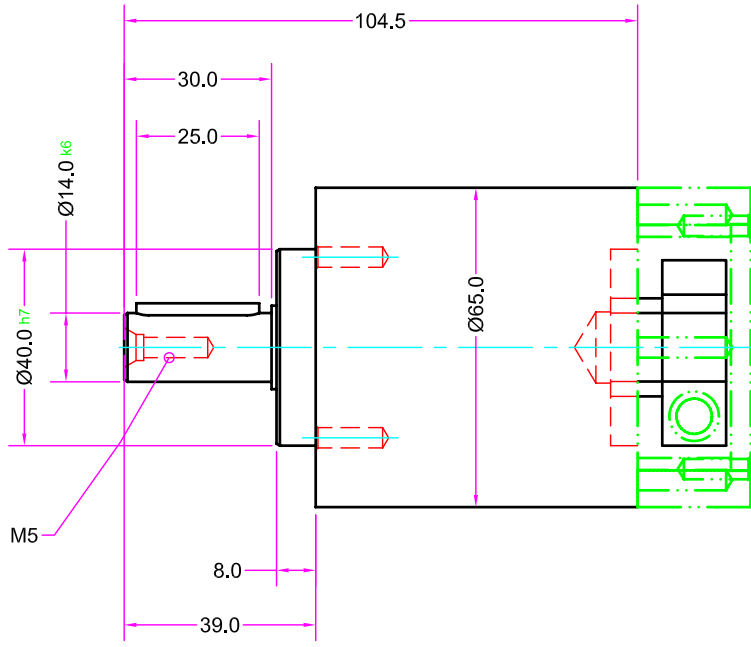


REV.	ECN No.	DATE	BY	DESCRIPTION
A	---	05/07/07	CP	RELEASED FOR QUOTATION



(4) M3-M6
ON A Ø57.0 B.C.



FLANGE DIMENSIONS ACCOORDING TO MOTOR SELECTED

FINISH:		DO NOT SCALE WHEN PRINT	ALL DIMENSIONS IN MILLIMETERS, UNLESS OTHERWISE SPECIFIED, ALL DIMENSIONS IN [] ARE IN INCHES AND FOR REFERENCE ONLY
TOLERANCES UNLESS OTHERWISE SPECIFIED:		DRAWN: 05/07/07	JAM
INCH		REQUESTED: 05/07/07	CP
METRIC		APPR.	
.X ±0.020	FRACTIONAL ±1/32	.X ±0.5	
.XX ±0.010	ANGULAR ±15°	.XX ±0.25	
.XXX ±0.005		.XXX ±0.127	
MATERIAL:		REV: A	SCALE: 1:1
BREAK ALL EDGES .5 X 45° UNLESS DENOTED AS SHARP		SHEET: 1 OF 1	CUSTOMER PART No.
		DWG No. PD065-1S	



PLANETDRIVE GEARBOX
TYPE:PD-065-1

DWG No. PD065-1S